

# 中载激光云台网络摄像机

Laser PTZ Camera

**KEDACOM**

快速安装指南

Quick Start Guide



## 一 前言

感谢您购买我司产品，如对本公司产品有疑问或需要，请随时和我们联系。

此内容（手册）的目的是确保用户正确使用本产品，以避免危险或财产损失。在使用产品之前，请认真阅读此手册并妥善保存以备日后参考。如果用户因没有按照以下安全说明，致使设备不能正常使用或损坏等情况，我司恕不负责，感谢您的配合。

## 二 安全说明

### 1. 电源要求

- 请在安装使用设备过程中，严格遵守当地各项电气安全规定。
- 请使用满足安全电压要求的电源，在设备运行之前检查供电电源是否正确。
- 请在安装配线时装入易于使用的断电设备，以便必要时进行紧急断电。
- 请保护电源软线免受踩踏或紧压，特别是在插头、电源插座和从装置引出的接点处。
- 请在断电状态下连接网络、电源等线缆，严禁在设备上电的情况下连线。

### 2. 使用环境要求

- 请勿将摄像机对准强光（如灯光照明、太阳光等处）聚焦，否则容易引起过亮或漏光现象（这并非摄像机故障）也将影响摄像机寿命。
- 请在允许的湿度和温度范围内运输、使用和存储设备。
- 请勿将设备置于潮湿、多尘、极热、极冷、强电磁辐射或照明条件不稳定等场所。
- 请勿让任何液体流入设备，以免内部元件受损。
- 请在运送设备时，重新以出厂时的包装进行包装，或用同等品质的材质包装。
- 请勿在运输、存储及安装过程中重压、剧烈震动、浸泡设备。
- 请勿安装在不牢固的支架、墙面、或屋顶上，否则会导致人机受损。

工作环境	
工作电源	电源：DC 24V±10% 功耗：150W Max
环境要求	防雷、防浪涌、防突波
海拔高度	-60~3000m
工作温度	-40°C~+70°C
工作湿度	10%~95% (无凝结)

### 3. 日常维护与保养

- 请勿直接触碰设备发热部件，以免烫伤。
- 镜头玻璃沾染灰尘或油脂时，用棉布或镜头清洁布擦拭。若遇污垢难以清除，蘸上少量镜片清洁剂，自镜头中心向外旋转轻轻擦拭，直到干净为止。禁止使用有机溶剂（苯、酒精等）对镜头玻璃和护罩前脸进行除尘、清洁。
- 请不要以任何方式拆卸或修改产品。（对未经认可的修改或维修导致的问题，本公司不承担任何责任）。
- 如果设备工作不正常，请联系经销商或最近的服务中心。

### 4. 特别声明

- 本手册中的图示仅供参考，产品请以实物为准。
- 我们尽最大努力来保证本手册信息的正确性，如因升级等原因发生信息修改，恕不另行通知。
- 本手册能作为多个型号产品的使用指导，但不一一列举每个产品的使用情况，请您根据实际产品自行对照。
- 本产品使用IPCSearch激活后方能使用，激活时请填写有效邮箱，方便找回密码。IPCSearch请至官网下载，下载地址：<https://www.kedacom.com/cn/softtools/index.jhtml>
- 为了提高产品网络使用的安全性，建议您设置高强度密码：由数字、大/小写字母或特殊符号中两种或两种以上类型组合而成，且密码长度满足8-16位。请您定期更改用户名的密码，建议每3个月更新一次密码。如果设备在较高安全风险的环境中使用，建议每月或每周更新一次。请妥善保管好您的用户名与密码。
- 如需获取最新文档，请至官网下载，官网地址：[www.kedacom.com](http://www.kedacom.com)。

## 5. 安全警告

### 提示

 激光打开时，请不要近距离直视激光窗口，以免造成眼睛损伤，甚至致盲。

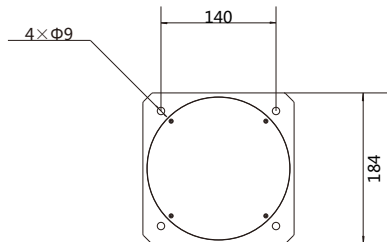
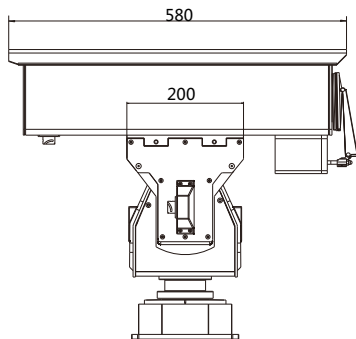
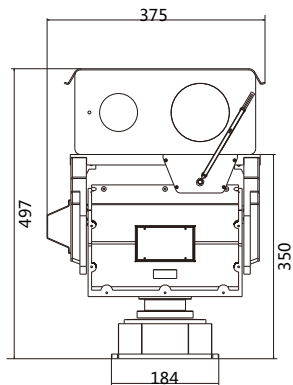
### 标识



设备正常工作时，请不要近距离直视激光窗口

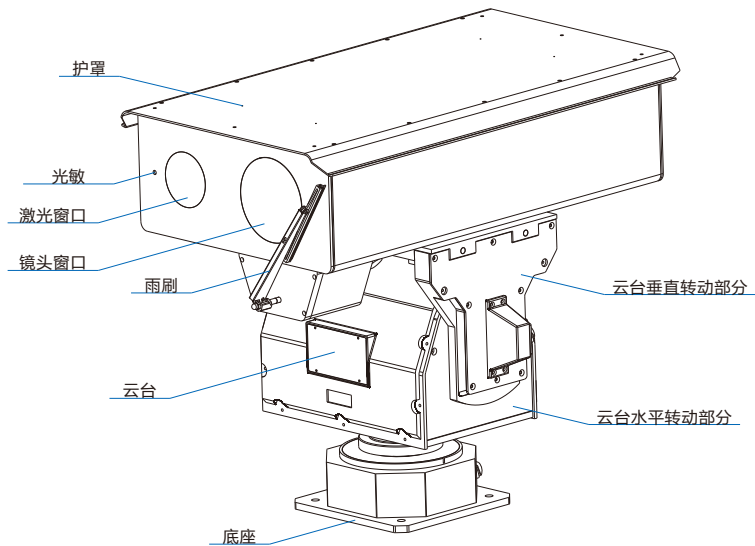


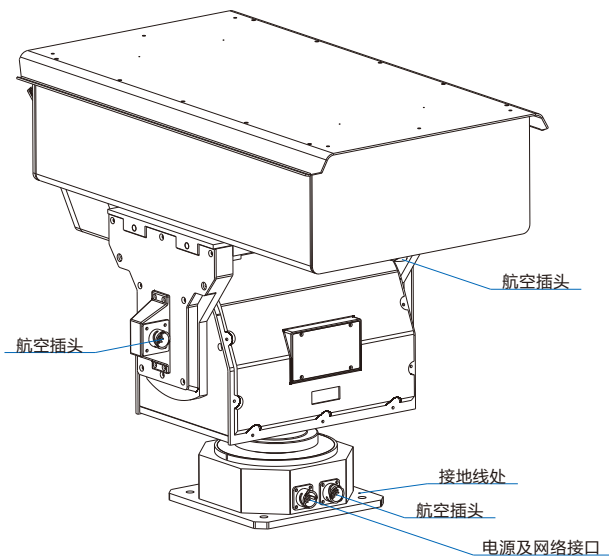
### 三 设备外观 外观尺寸



单位：mm  
净重：35kg

## 部件说明







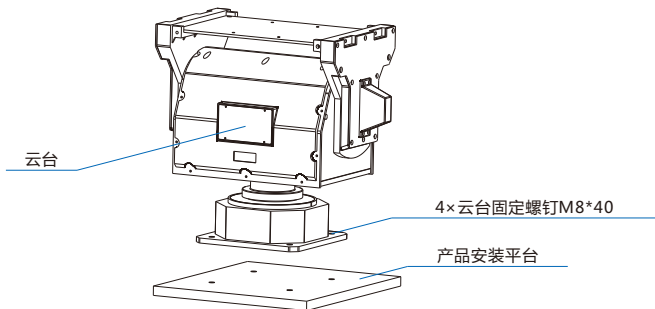
## 四 设备安装

### 安装注意事项

- 安装时，请确保安装地点有足够的空间，避免云台因外物阻挡而影响正常转动。
- 设备整机重量约为35kg，选择安装平台时，请确保安装平台能承受的重量大于设备整机重量的8倍；且安装平台刚性足够，能保证在大风情况下不晃动。
- 建议对安装平台做防锈处理，避免因使用时间过长，出现安装平台生锈损坏而不能支撑设备的情况。
- 摄像机镜头附近不允许出现遮挡物。
- 由于产品较重，请确保安装人员有足够的力量托举摄像机，避免在安装过程中出现意外。

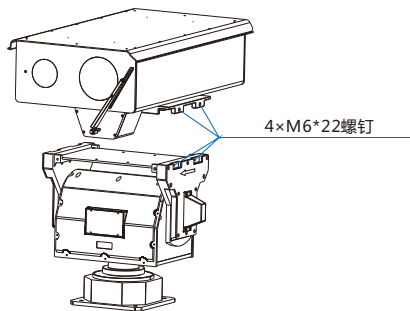
## 安装步骤

1. 参考云台底座孔位图，在产品安装平台上开4个 $\Phi 12$ 安装孔，使用M8\*40螺钉将云台固定在安装平台上。固定云台时，请参照云台上的水平定位仪，确保云台水平安装。

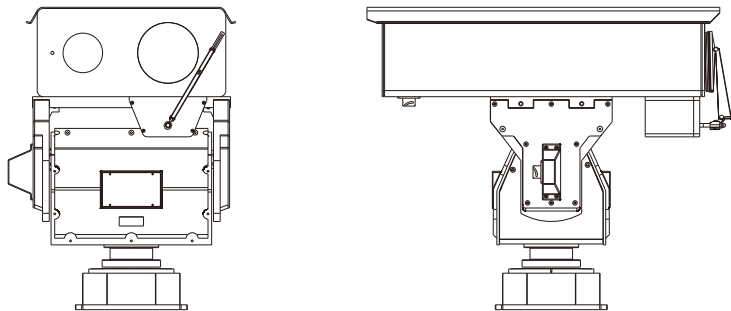


2. 将护罩架设在云台上，使用M6\*22螺钉固定。

**【说明】** 根据云台侧面的箭头指示标记，确认云台正反方向，确保护罩方向与云台方向一致，避免因安装方向错误，造成操控方向与云台实际运转方向不一致。



3. 安装完成后，整体外观如下图所示。



4. 接线。使用护罩云台连接线对接云台垂直转动部分一侧的航空插头与护罩上的航空插头，并锁紧。电源及网络接口按标签定义，分别做对应连接。

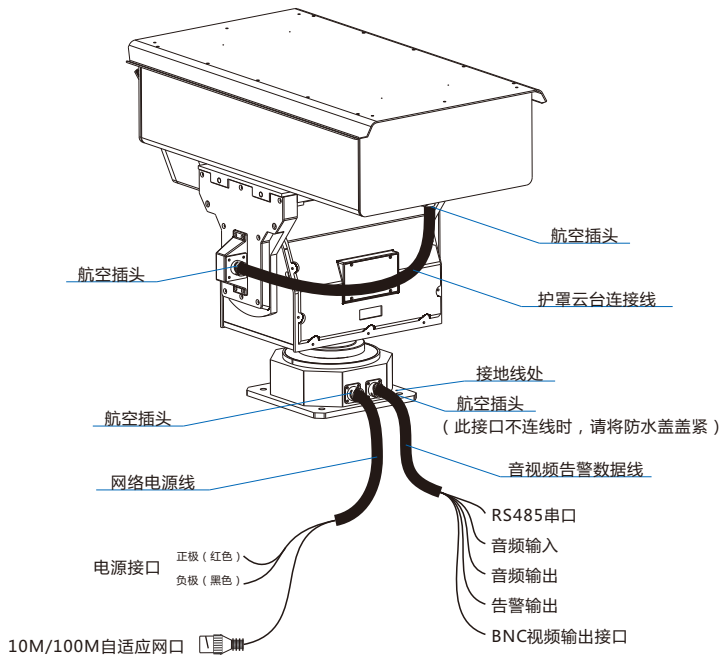
**【说明】** 1) 下列各项连接工作，必须由有资格的专业技术人员或系统安装人员，在符合当地规定的条件下完成。

2) 建议安装人员对线缆接头处使用胶布或胶带做适当的防水处理。避免因进水造成短路，影响设备正常使用。

连接电源延长线缆时，必须使用线径符合要求的线缆。

电源到云台距离	推荐线径
10m	4mm <sup>2</sup>
11m~30m	6mm <sup>2</sup>
31m~60m	10mm <sup>2</sup>
61m~100m	15mm <sup>2</sup>

**【说明】** 线径要求适用于单根、实心、圆形的铜线，多股绞线的电缆AWG，值由所有线的总横截面积决定。



5. 安装完成，检查线路连接无误后，便可进行通电测试。通电后，设备会自检一次，自检完成后，方可对设备进行其它操作。

【说明】自检轨迹：垂直方向转动至最下方，再转动至最上方，停留在云台最后断电的位置。

## 五 客户端登录

### 1. 最低配置和系统环境

处理器：3.3GHz酷睿® i3系列及以上或相同性能的其他处理器

RAM内存：4GB及以上

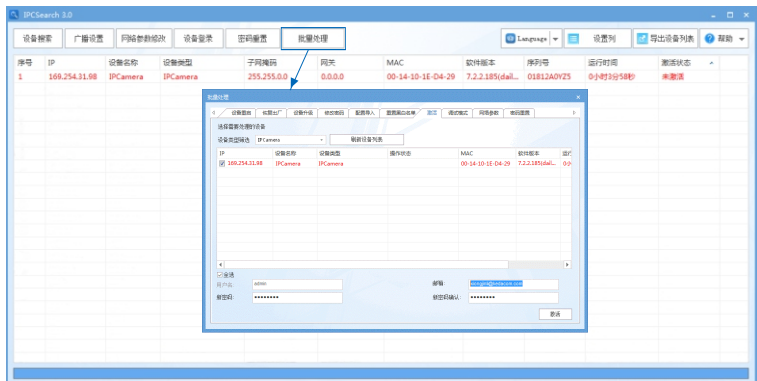
操作系统：WindowsXP操作系统或更高版本

浏览器：推荐使用IE内核浏览器，使用其它内核浏览器会影响客户端部分功能的使用  
DirectX：9.0c

### 2. 设备激活

第一次使用时请运行IPCSearch，在IPCSearch中将显示设备的IP地址、网关等信息。若IPC设备所接入的网络有DHCP服务，DHCP服务器将自动给IPC分配IP地址。

- 批量激活：在IPCSearch中选中设备，点击**批量处理**，在弹出的界面中设置admin用户的密码和找回密码时需要用的邮箱，点击**激活**按钮激活设备。待设备重启。
- 单个激活：在IPCSearch中选中设备，单击右键，选择**设备激活**。填写用户名、密码、找回密码时需要用的邮箱，点击**激活**按钮激活设备。待设备重启。
- Web客户端激活：设备也可以通过Web客户端激活。将PC与设备设为同一网段，登录Web界面，可在界面设置管理员密码和找回密码时需要用的邮箱，点击**激活**。



**登录**



8-16位，数字、大、小写字母或特殊符号的两种或以上组合  
  
  
管理员密码必须通过此邮箱找回密码，  
请确保邮箱安全、有效

### 3. 修改设备IP

点击**修改网络参数**，在弹出的界面中配置网络参数。静态分配IP地址时，请选择自定义地址，填写以太网参数。修改参数配置，需要填写管理员用户的用户名（admin）及激活设备时设置的密码。完成IP配置后，设备将自动重启。

### 4. 登录设备

1) 在IPCSearch中双击设备或点击设备登录，输入用户名和密码，登录Web客户端。

**登录**



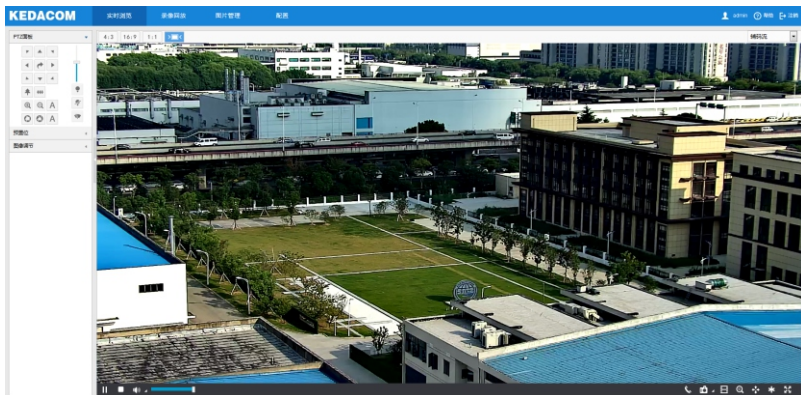
匿名登录

2) 登录成功后，下载并安装视频插件。

3) 进入客户端后，直接浏览图像。

【说明】不同型号，浏览界面略有差异，请以实际界面为准。更多客户端说明，请参考Web客户端帮助文档。

调整设备方向，在Web客户端内进行参数调整，直至浏览画面达到预定要求。



## 保修说明

本保修卡适用于您购买的本公司系列产品。

1. 免费保修期一年（仅限中国大陆地区，中国大陆以外地区请参考英文说明）。
2. 凡保修期内，由于本产品自身引起的故障，请与公司售后服务部联系。
3. 保修时我们将使用您的保修卡信息，请认真填写。
4. 以下情况，属于有偿保修范围：
  - 人为原因造成的设备故障
  - 因使用环境不符合本产品要求造成的故障
  - 因不可抗力造成的产品损坏
  - 无保修卡
  - 已过免费保修期

## 用户信息

用户名称：

详细地址：

传真：

电话：

邮箱：

邮编：

产品名称：

产品型号：

购买日期：



## I. Preface

Thank you for purchasing our product. If there is any question, please do not hesitate to contact us.

These instructions are intended to ensure that the user can use the product correctly to avoid danger or property loss. Please read this Guide carefully before using the product, and keep it properly for future reference. If the product cannot work normally or is damaged because the user does not follow the safety instructions, we shall not assume any responsibility. Thanks for your cooperation.

## II. Safety Instruction

### 1. Power Supply

- During installing and using the device, please follow local electrical safety regulations strictly.
- Please use power supply in the safe voltage range of our product. Make sure if the power supply is correct before running the device.
- Please install an easy-to-use breaker during installation and wiring in case it is necessary to make an emergency break.
- Please prevent the power cord from being trampled or pressed especially the plug, socket and the connecting part led out from the device.
- Please connect network cables or power cord with the power off. Hot-line wiring is not allowed.

### 2. Working Environment

- Do not focus the camera lens on strong light such as the sun or incandescent lamp; otherwise the strong light will cause overexposure or light leak (not camera malfunction), which may shorten camera lifetime.
- Please transport, use and store the device within defined humidity and temperature ranges.
- Do not expose it in damp, dusty, extremely hot or cold places or places with intense electromagnetic radiation or with unstable lighting.
- Keep the camera away from water or any liquid to avoid damage to internal components.
- While shipping the camera, pack it in the factory packing or use materials with equivalent quality.
- When shipping, storing and installing the device, try to prevent it from damages caused by pressure, violent vibration and soaking.
- Do not install the device on unstable bracket, wall or roof, otherwise damage or injury may be caused to the device or the people.

Working Environment	
Power Supply	Power: DC 24V±10% Consumption: 150W Max
Environment	Lightning protection, surge protection, and anti-interference
Elevation	-60~3000 m
Temperature	-40°C~+70°C
Humidity	10%~95% (non-condensing)


### 3. Daily Maintenance

- Do not touch the heat component of the device directly to avoid empyrosis.
- When the lens is contaminated by dust or grease, use cotton cloth or lens clean cloth to wipe it off. When it is hard to clean, dip some lens cleanser and wipe gently and rotate outward from the middle until it is clean. Never apply any organic solvent with ethanol or benzene to clean the lens and housing.
- Do not disassemble or repair the device in any way by yourself. We shall not assume any responsibility for problems caused by unauthorized repair or maintenance.
- If the product does not work properly, please contact your dealer or the nearest service center.

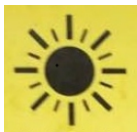
### 4. Special Statement

- The product appearance is subject to the actual device and picture in this Guide is for reference only.
- Every effort has been made to ensure the accuracy and validity of this Guide. Any update of this Guide caused by version upgrade is subject to change without notice.
- This Guide is made for multiple models but it will not illustrate one by one. Please refer to it according to the actual products you are using.
- This device can be used after being activated through IPCSearch in the attached CD. During activation please fill a valid email address for finding back the password.
- To ensure the safety of device on internet, it is strongly recommended that you set a strong password which is composed of at least 2 kinds of the following, numbers, upper-case or lower-case letters or specific symbols, with length of 8 to 16 bits. Please modify the password periodically and once every 3 months is recommended. If the device is used in highly risky environment, suggest modifying the password monthly or weekly. Please keep your user name and password safe.
- Accessing this device to the internet is at user's own risk, including but not limited to the possible network attack, hacker attack, virus infection and etc. This company will not assume any responsibility for problems of product abnormality and information disclosure caused thereof. We shall provide technical support relating to the products in time.
- For the latest documents, please download at our website [www.kedacom.com](http://www.kedacom.com).

## 5. Warning

 If laser is enabled, do not face the laser window closely to prevent eye damage or even blindness.

The following are warning signs.



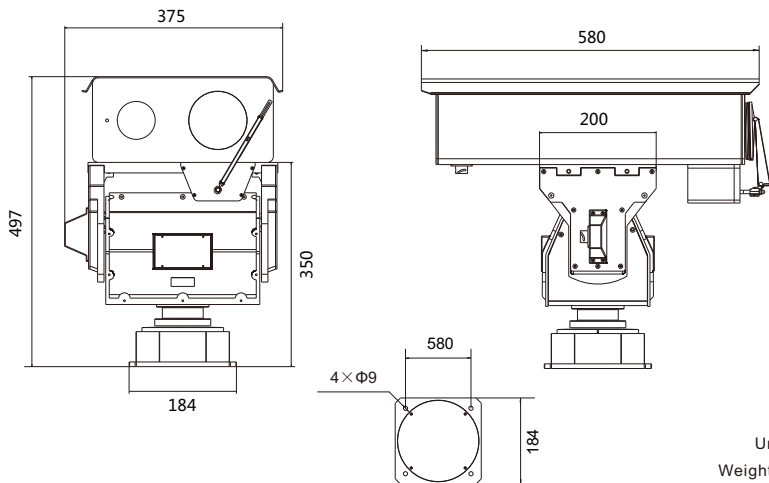
Sign for the laser source



Sign for the warning: do not face the laser window closely.

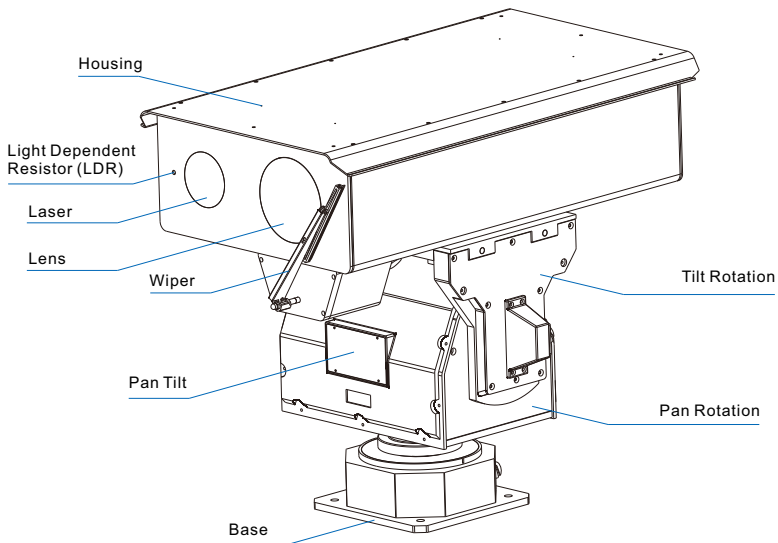
## III. Appearance

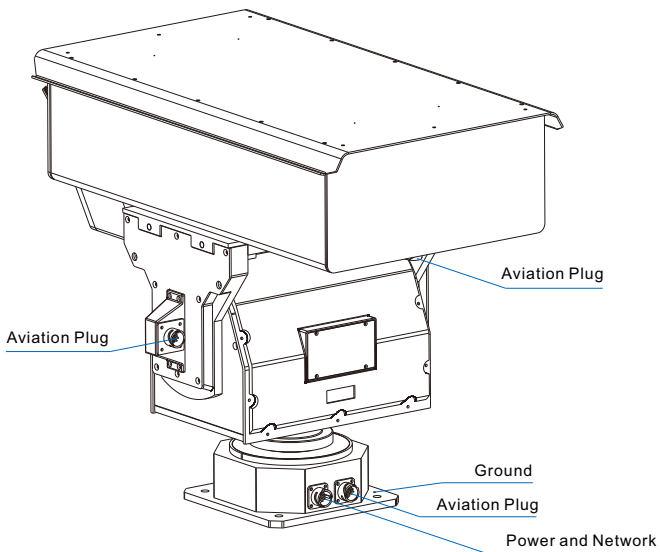
### Dimensions



Unit: mm  
Weight: 35 kg

## Components





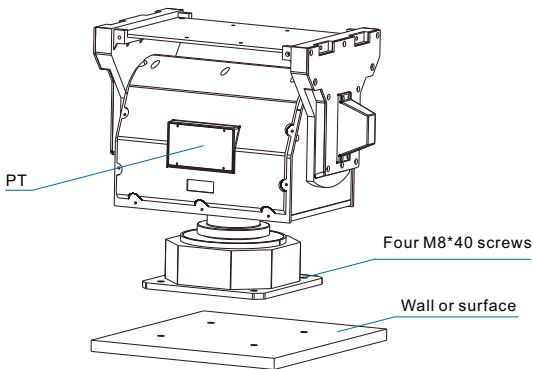
## IV. Installation

### 1. Pre-installation Inspection

- Make sure there is sufficient space for installing the camera and its accessories and for the camera to rotate.
- Please make sure that the wall or surface for mounting the camera can bear weight as heavy as 8 times of the camera and its accessories and that the wall or surface must be stable enough as not to endanger the camera during windy days.
- You are advised to regularly clear the rust on the wall or surface to prevent the camera from falling down.
- Clear away blocks standing before the lens.
- Please ensure that installation personnel are strong enough to lift the camera up.

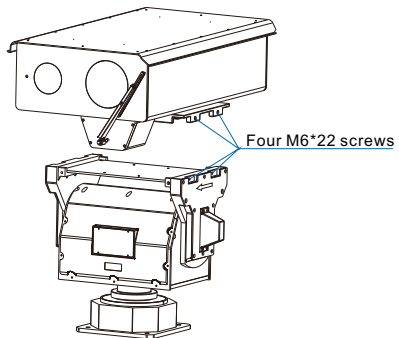
### 2. Installation steps

- 1) Make four  $\Phi 12$  holes on the wall or surface according to the base hole photo given in section "Dimensions". After this, secure the PT to the wall or surface using M8\*40 screws. In this step, use a spirit level to ensure that the PT is installed horizontally.

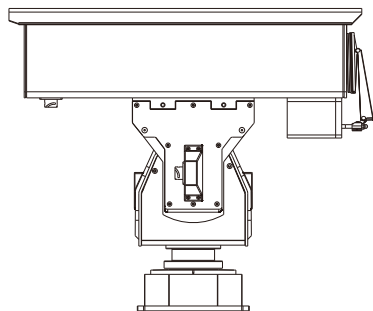
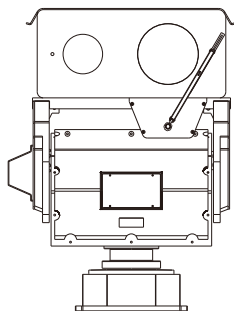


- 2) Secure the housing to the PT using M6\*22 screws.

**[Note]** Please notice the arrow on the side of the PT to ensure that the housing and PT face the same direction. Otherwise, the PT may not turn to the correct direction as you expect.



3) After the preceding steps are performed, you will find the following.



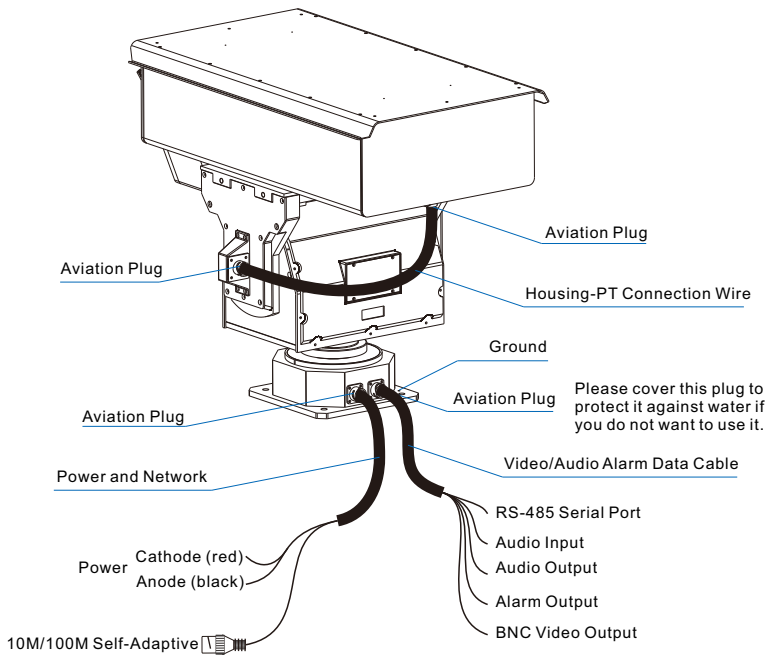
- 4) Connect the aviation plug on the PT to that on the housing using a housing-PT connection wire and secure the two plugs. After this, connect the camera to power and network cables according to cable labels.

- [Note]
- Wiring must be performed by the professionals and in accordance with local rules and regulations.
  - Waterproofs must be provided on cable connectors.
  - If you use extension cables, ensure that the cross sectional areas of the cables meet the following requirements.

Distance Between Power Supply and PT	Recommended Cross Sectional Area of an Extension Cable
10 m	4 mm <sup>2</sup>
11 m~30 m	6 mm <sup>2</sup>
31 m~60 m	10 mm <sup>2</sup>
61 m~100 m	15 mm <sup>2</sup>

The preceding cross sectional area requirements apply to single-strand solid round copper wires. The AWG of multi-strand cables depends on the sum of the cross sectional areas of all strands.





- 5) After finishing the installation, check connection again and power on the camera. After being powered on, the camera will conduct a self-test, after which you can perform other operations.

**[Note]** Self-test track:

The camera tilts to the bottom and then the top and stops at the spot where the PT stays at the previous power-off.

## V. Log in to the IPC Web

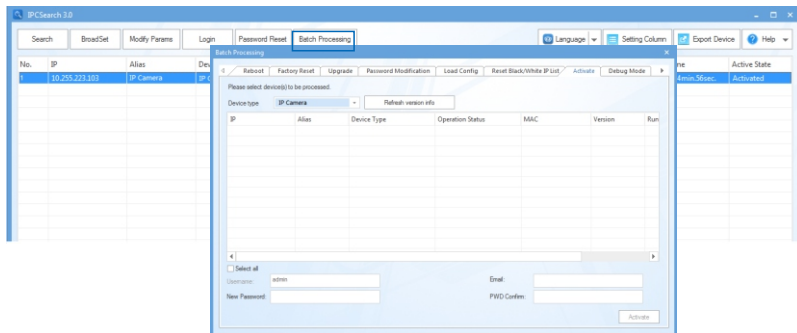
### 1. Minimum Requirements

- RAM Memory: 4 GB or larger
- Operating System: Windows XP or later
- Browser: recommended: IE kernel browsers (without IE kernel browsers, some functions may fail.)
- DirectX: 9.0c

### 2. Activation

When using the camera for the first time, run the IPCSearch in the attached CD. The IPCSearch will search cameras in a LAN automatically and display the list of the camera IP address, gateway and etc. If the network provides DHCP services, the DHCP server will assign IP for the camera automatically.

- Batch activation: Select the camera in the IPCSearch and click "**Batch processing**". In the pop-up window, enter the admin user's password and the email address for retrieving the password. Click "**Activate**" and wait for camera rebooting.
- One-by-one activation: Select the camera in the IPCSearch and click "**Activate**". In the pop-up window, enter a username, password, and email address for retrieving the password. Click "**Activate**" and wait for camera rebooting.
- Activation on the IPC Web: Change your computer's IP address to enable it to be on the same network segment as the camera. Open an IE kernel browser and enter a valid IP address of the camera. In the displayed dialog box, enter the admin user's password and email address which is used to retrieve the password in future. Click **Activate**.



User Name	<input type="text" value="admin"/>
Password	<input type="password"/>
	<input type="text"/>
Password	<input type="password"/>
Confirm Password	<input type="password"/>
Claim Email	<input type="text"/>

When admin's password gets lost,  
find it back through this email.  
Make sure this email address is  
safe and valid.


Active

### 3. Change the Camera IP Address

On the IPCSearch, select the camera and click "**Modify Params**" to configure network parameters. To assign the camera a static IP address, check "**Custom device address (Close DHCP)**" and configure the parameters below. Before the changes can take effect, you must enter the password of the admin account. After this, the camera will reboot.

#### 4. Access the Camera through the IPC Web

- 1) On the IPCSearch, select the camera and click **Login**, or double-click the camera; and enter a username and password.



A login form with two input fields: 'User Name' containing 'admin' and 'Password' containing '\*\*\*\*\*'. A blue 'Login' button is positioned below the fields.

- 2) After login, download and install the plug-in. Close your browser during the installation.
- 3) Re-log in to the IPC Web. After this, you can view videos.

**[Note]** Options on the IPC Web differ according to the camera model. For details about the IPC Web, see the help guide provided on the IPC Web.



## **Kedacom Two (2) Year Limited Hardware Warranty**

### **WHAT IS COVERED BY THIS WARRANTY?**

Kedacom warrants the Kedacom-branded hardware product and accessories contained in the original packaging (hereinafter referred to as "Kedacom Product") against defects in materials and workmanship when used normally in accordance with Kedacom's published guidelines for a period of TWO (2) YEARS from the date of original retail purchase in areas other than mainland China by the end-user purchaser (hereinafter referred to as "Warranty Period"). For the Kedacom Product purchased in mainland China, see the simplified Chinese version of this warranty for details. Kedacom's published guidelines include but are not limited to information contained in technical specifications, user guides, and service communications. The preceding applies unless otherwise agreed in the contract.

### **WHAT IS NOT COVERED BY THIS WARRANTY?**

This warranty does not apply to any non-Kedacom branded hardware products or any software, even if packaged or sold with Kedacom hardware. Manufacturers, suppliers, or publishers, other than Kedacom, may provide their own warranties to you but Kedacom, in so far as permitted by law, provides their products "AS IS". Software distributed by Kedacom with or without the Kedacom brand (including, but not limited to system software) is not covered by this warranty. Please refer to the licensing agreement accompanying the software for details of your rights with respect to its use. Kedacom does not warrant that the operation of the Kedacom Product will be uninterrupted or error-free. Kedacom is not responsible for damage arising from failures to follow instructions relating to the Kedacom Product's use.

This warranty does not apply: (a) to consumable parts, such as batteries, unless failure has occurred due to a defect in materials or workmanship; (b) to cosmetic damage, including but not limited to scratches, dents, and broken plastic on ports; (c) to damage caused by use with another product; (d) to damage caused by acts outside the control of Kedacom, including without limitation acts of God, accidents, abuse, misuse, fire, storms, earthquakes, flood, or other external cause; (e) to damage caused by exposure of the product to heat, bright light, sun, liquids, sand, or other contaminants; (f) to damage caused by operating the Kedacom Product outside Kedacom's published guidelines; (g) to damage caused by service (including upgrades and expansions) performed by anyone other than a representative of Kedacom, Kedacom employee, or authorized Kedacom agent; (h) to an Kedacom Product that has been modified to alter functionality or capability without the written permission of Kedacom; (i) to defects caused by normal wear and tear or otherwise due to the normal aging of the Kedacom Product, or (j) if any serial number has been removed or defaced from the Kedacom Product.

### **YOUR RESPONSIBILITIES**

If your Kedacom product is capable of storing data and other information, you should make periodic backup copies of the information contained on the storage media to protect the contents and as a precaution against possible operational failures.

Before receiving warranty service, Kedacom or its authorized agents may require that you furnish proof of purchase details, respond to questions designed to assist with diagnosing potential issues, and follow Kedacom's procedures for obtaining warranty service. Before submitting your Kedacom Product for warranty service, you should maintain a separate backup copy of the contents of its storage media, remove all personal information that you want to protect, and disable all security passwords.

During warranty service, it is possible that the contents of the Kedacom product's storage media will be lost, replaced or reformatted. In such an event, Kedacom and its authorized agents are not responsible for any loss of data or other information contained on the storage media or any other part of the Kedacom product serviced.

Following warranty service, your Kedacom Product or a replacement product will be returned to you as your Kedacom Product was configured when originally purchased, subject to applicable updates. You will be responsible for reinstalling all other data and information. Recovery and installation of other data and information are not covered under this warranty.

### **WHAT WILL KEDACOM DO IF THE WARRANTY IS BREACHED?**

If during the Warranty Period, you submit a valid claim to Kedacom or an authorized Kedacom agent, Kedacom will, at its option, (i) repair the Kedacom Product using new or previously used parts that are equivalent to new in performance and reliability, or (ii) exchange the Kedacom Product for a refund of your purchase price.

A Kedacom replacement part or product, including a user-installable Kedacom part that has been installed in accordance with instructions provided by Kedacom, assumes the remaining warranty of the Kedacom Product or ninety (90) days from the date of replacement or repair, whichever provides longer coverage for you. When a product or part is replaced or a refund provided, any replacement item becomes your property and the replaced or refunded item becomes Kedacom's property.

Kedacom reserves the right to refund the purchase price as its exclusive warranty remedy.

### **HOW TO OBTAIN WARRANTY SERVICE?**

To seek warranty service, please contact a local authorized Kedacom agent. When contacting the agent via telephone, other charges may apply depending on your location.

### **User Information**

Complete the form below and keep for ready reference.

User Name:	
Address:	Postal Code:
Tel:	Mobile:
Fax:	E-Mail:
Product Name:	Product Model:
Date of Purchase:	



客户咨询热线：400-828-2866

**KEDACOM**

苏州科达科技股份有限公司

Suzhou Keda Technology Co.,Ltd.

中国: 江苏省苏州市高新区金山路131号(215011)

Tel: +86-512-6841 8188 Fax: 86-512-68412699

Suzhou Keda Technology Co.,Ltd.

Singapore: 627A Aljunied Road, #09-07, BizTech Centre, Singapore 389842

Tel: +65-6842-5700 Fax: +65-6842-5900

05.03.800887 (V1.2) 20200513